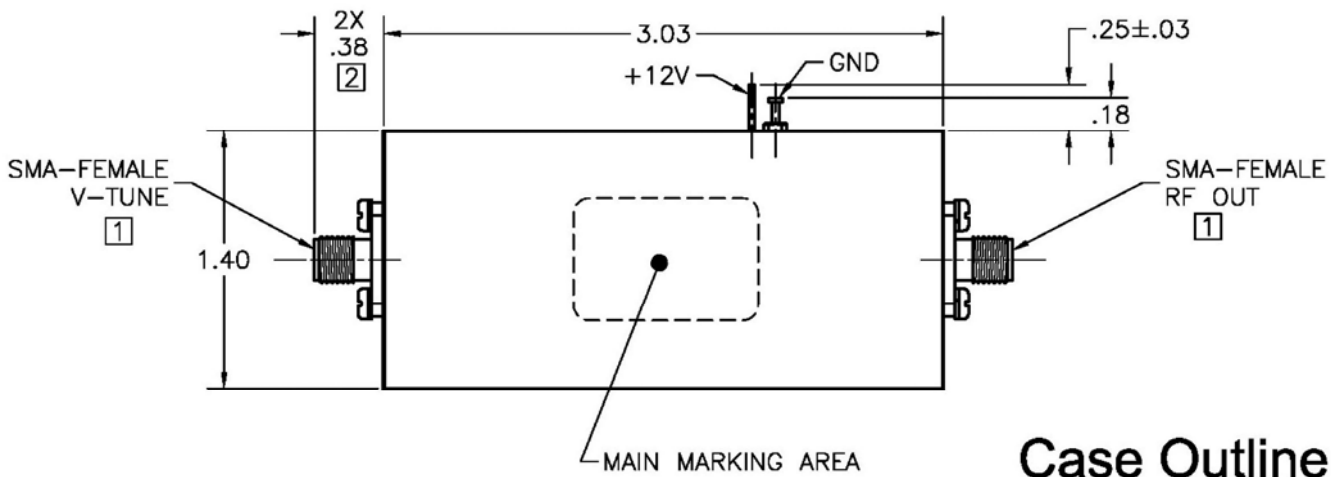
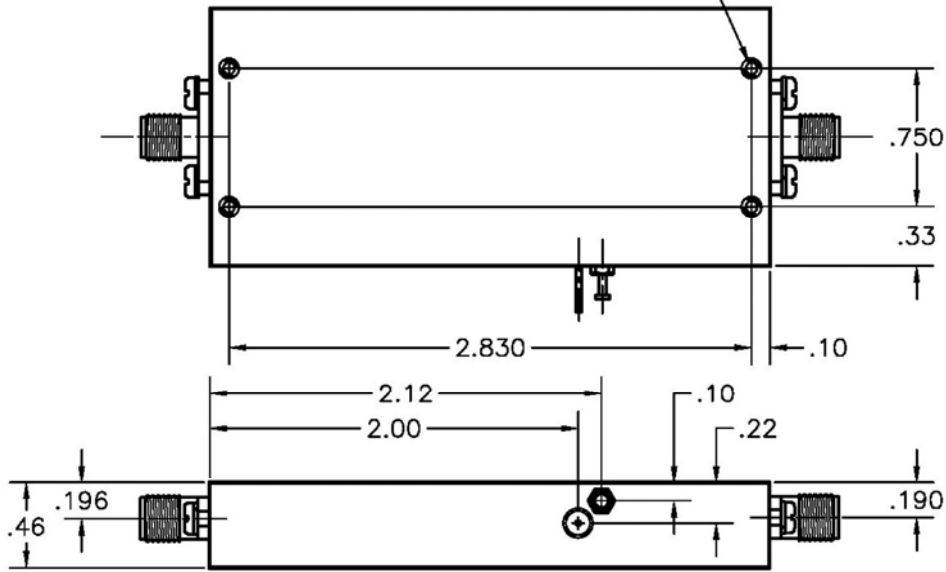


4X #2-56 UNC-2B X .150 DP



UNLESS OTHERWISE SPECIFIED
DIMENSIONS ARE IN INCHES.
TOLERANCES ARE:
XX±.02 XXX±.005

NOTES: (Unless Otherwise Specified)

[1] RF INPUT & OUTPUT CONNECTORS ARE SMA OR 2.92mm FEMALE.

[2] CONNECTOR DIMENSIONS:
SMA & 2.92mm FEMALE ARE .38".

Standard Outline Drawing for Cases with Female Connectors. Male Connectors or Waveguide available upon request.

Case Outline Example

