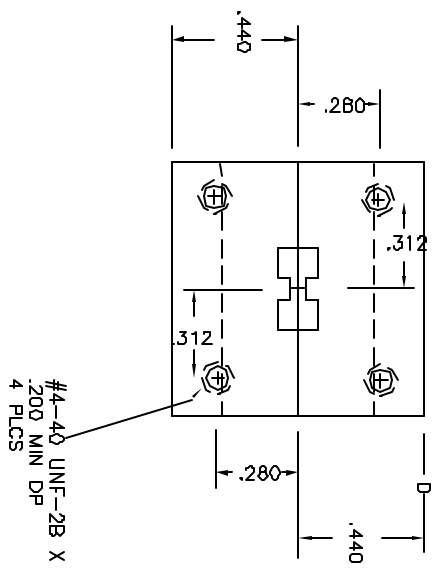
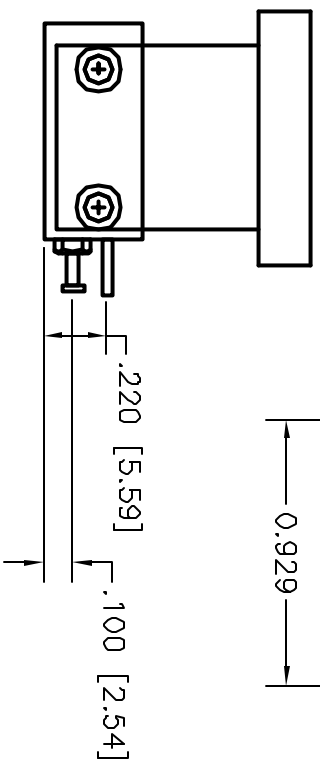
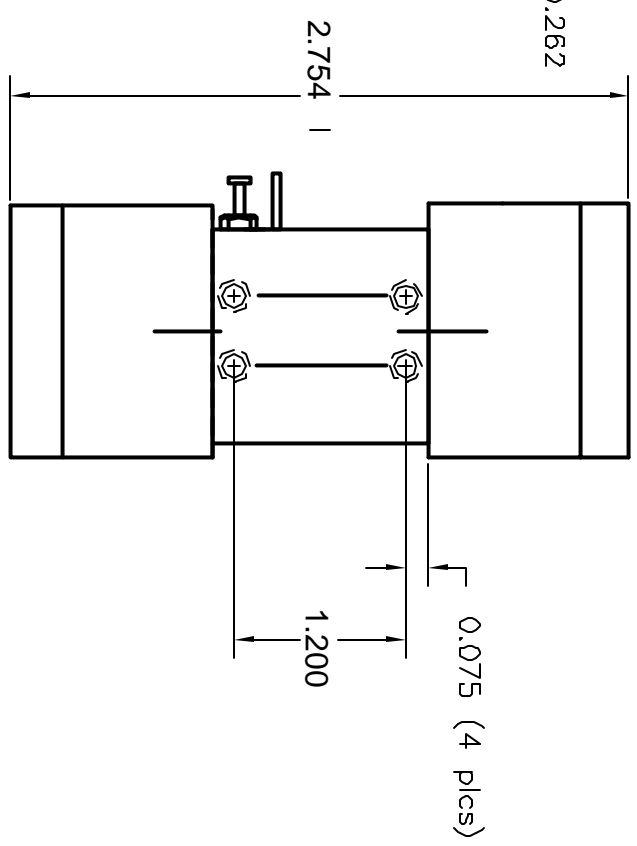
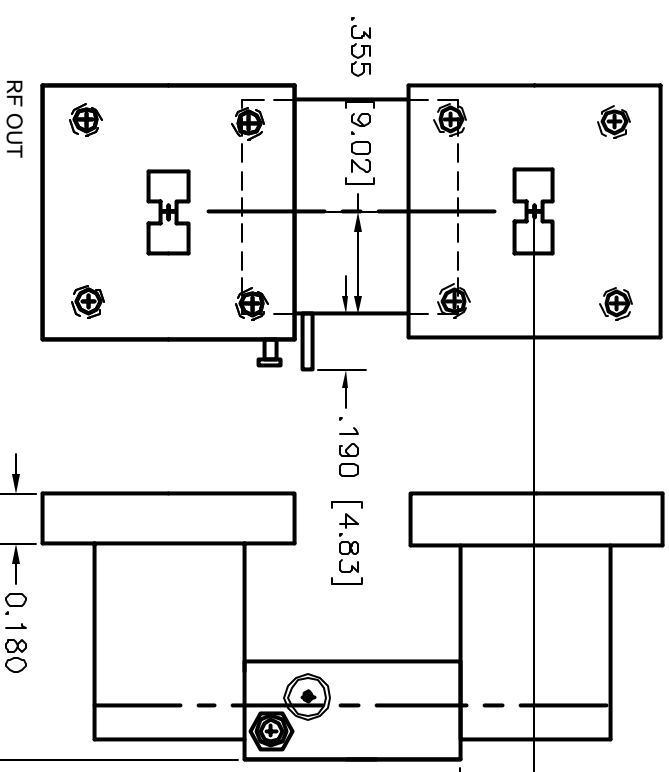


NORDEN MILLIMETER

RF IN

1806A18S



#4-40 UNF-2B X
.200 MIN DP
4 PLCS