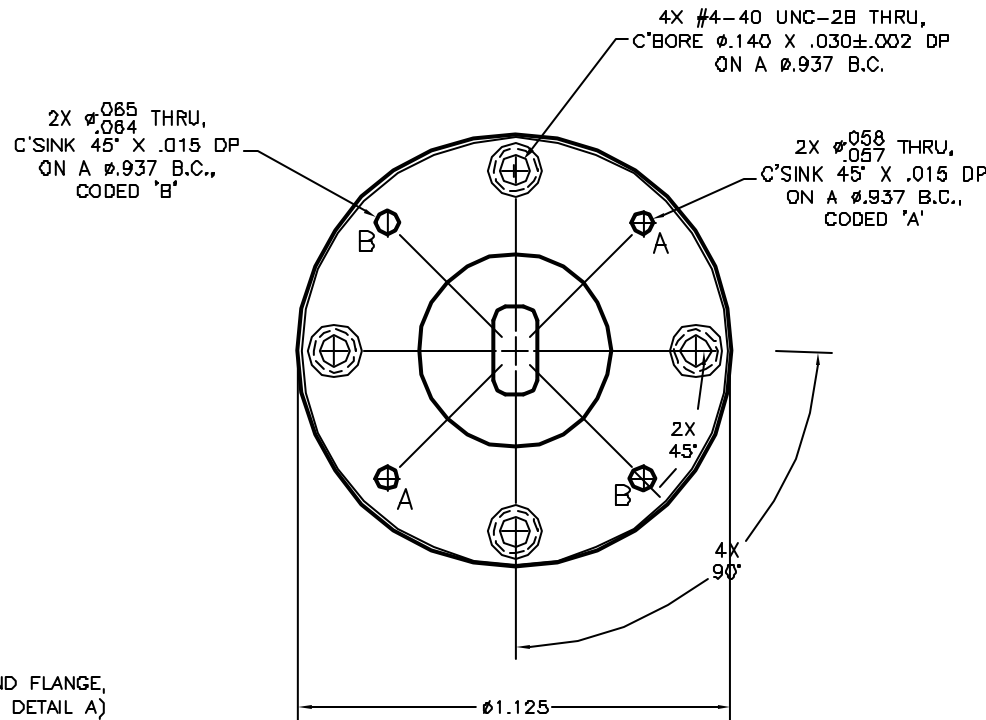


DIMENSIONS ARE IN INCHES,  
TOLERANCES ARE:



Norden  
Millimeter

1905A19S



DETAIL A  
WR-19 WAVEGUIDE