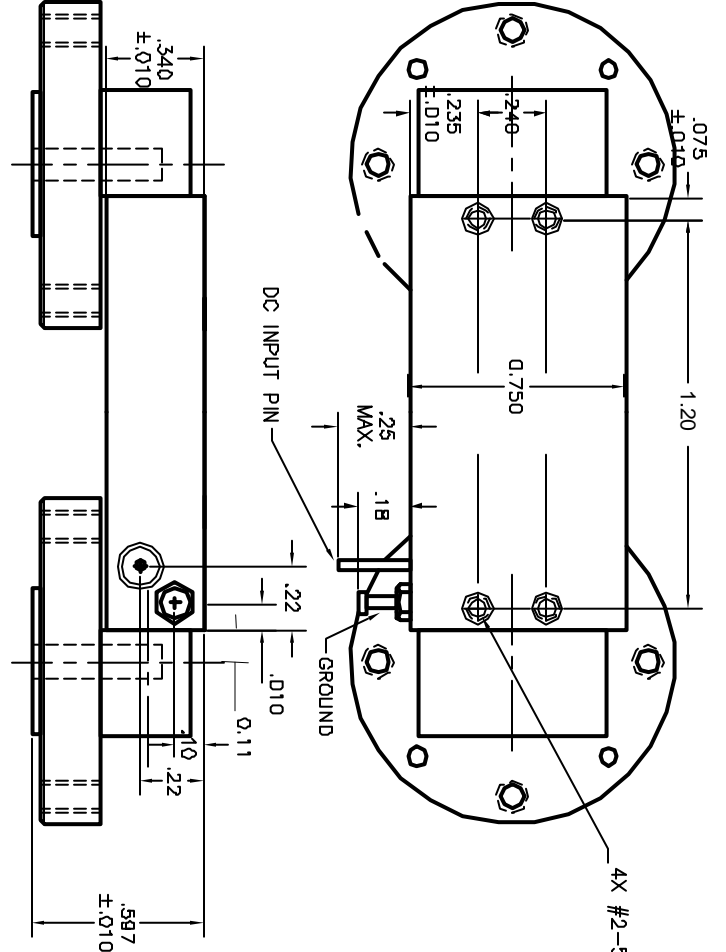


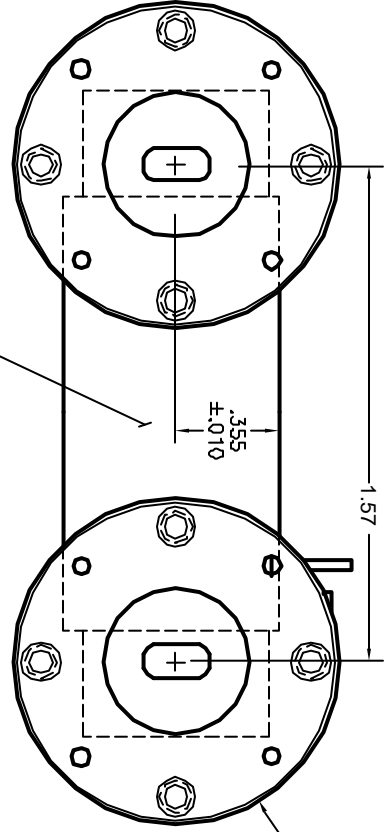
Norden
Millimeter

1906A19S



4X #2-56 UNC-2B X .13 DP

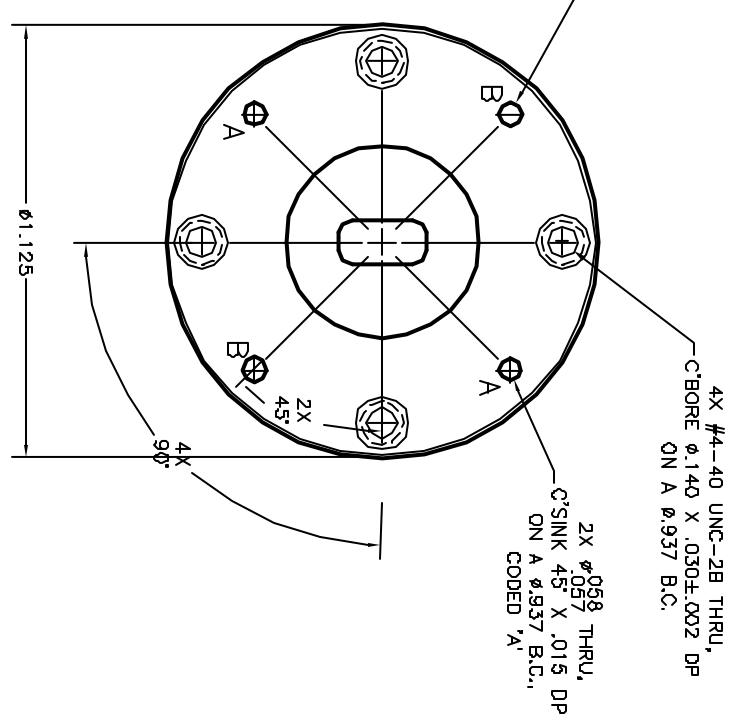
2X ϕ .065 THRU,
C'SINK 45° X .015 DP
ON A ϕ .937 B.C.,
CODED 'B'



MAIN MARKING
AREA

WR-19 ROUND FLANGE,
OUTPUT (SEE DETAIL A)

DIMENSIONS ARE IN INCHES,
TOLERANCES ARE:



DETAIL A
WR-19 WAVEGUIDE