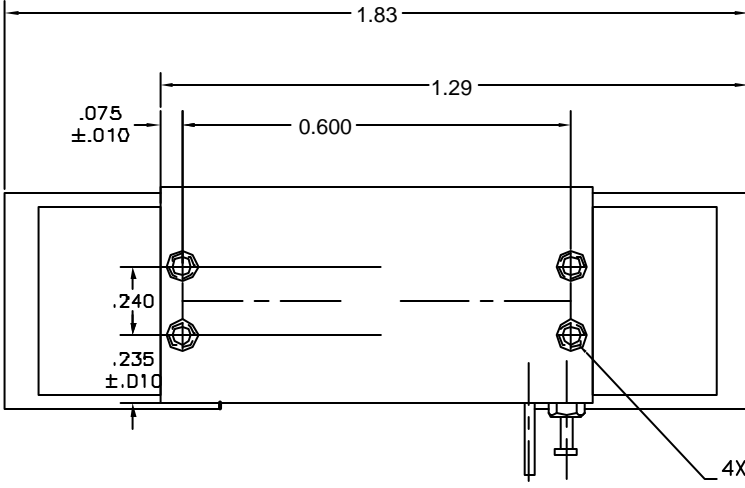
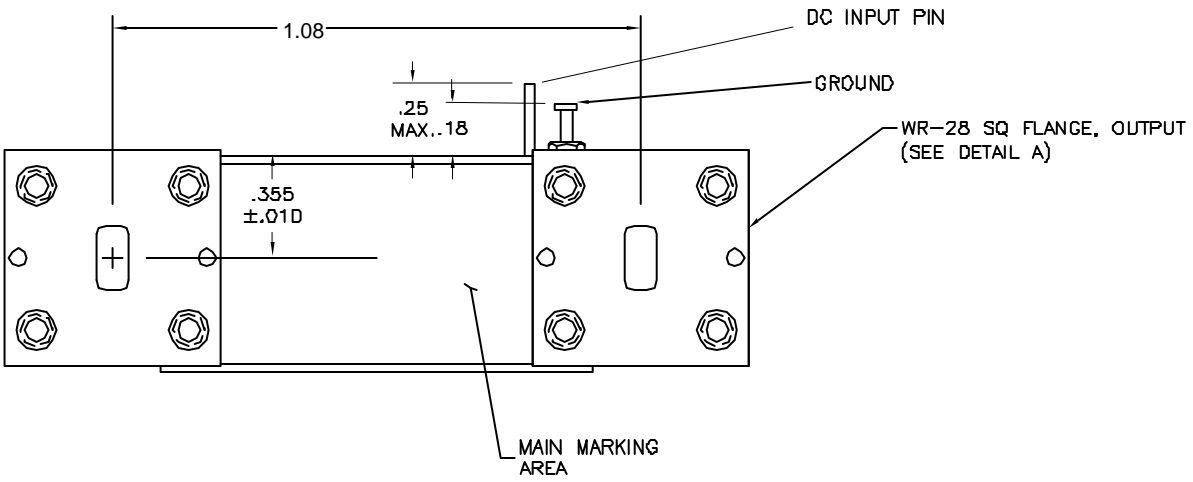
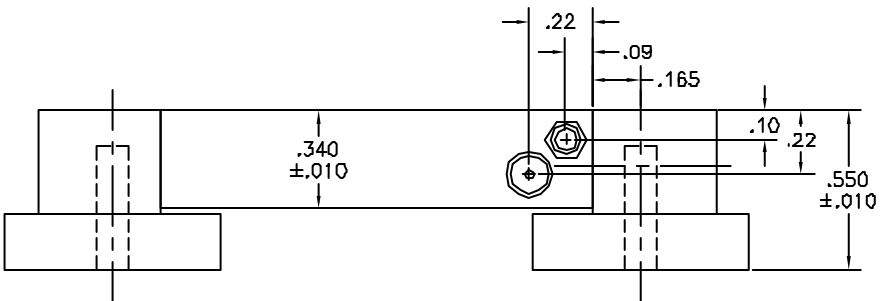




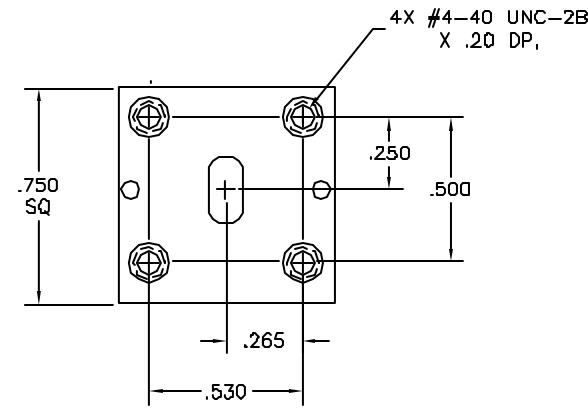
2203A22S



4X #2-56 UNC-2B X .13 DP



MAIN MARKING AREA



DETAIL A
WR-22 WAVEGUIDE