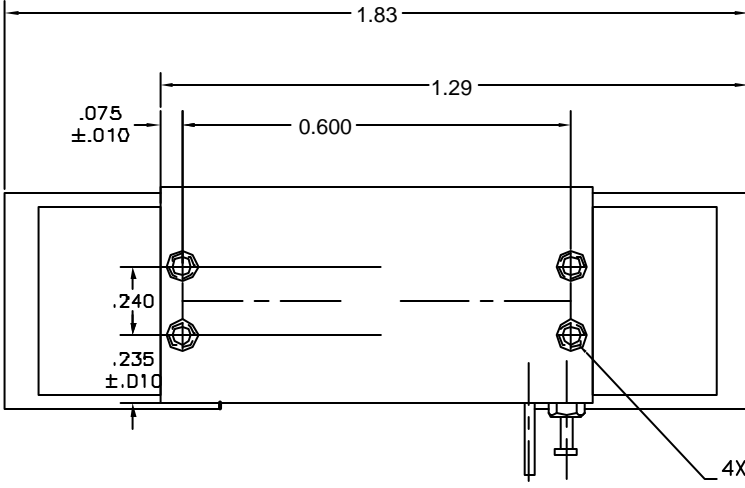
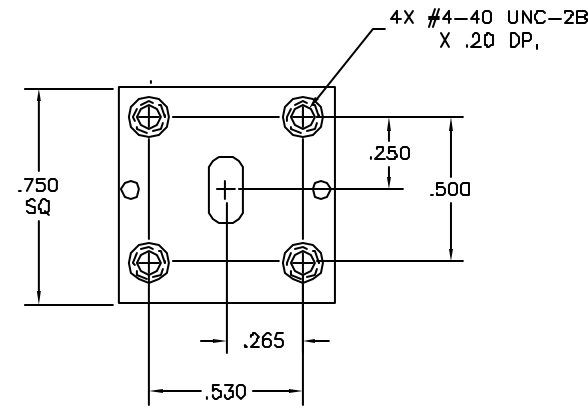
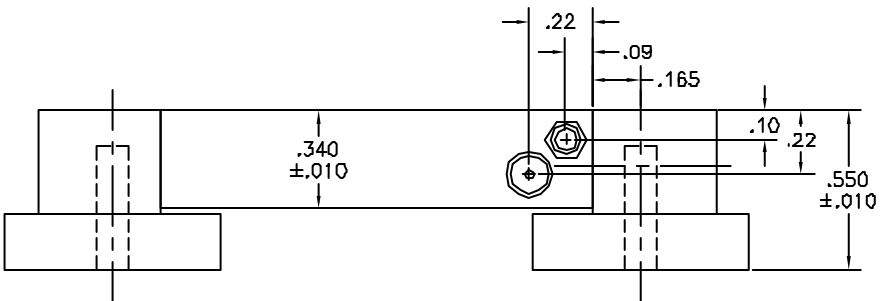




2803A28S



4X #2-56 UNC-2B X .13 DP



DETAIL A
WR-28 WAVEGUIDE

