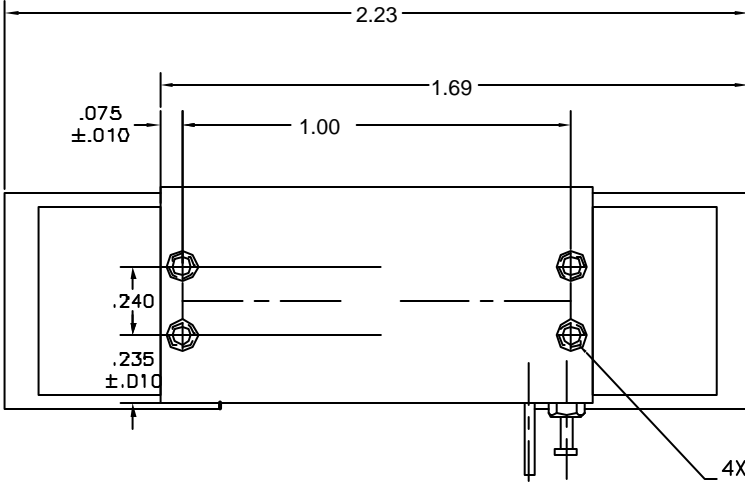
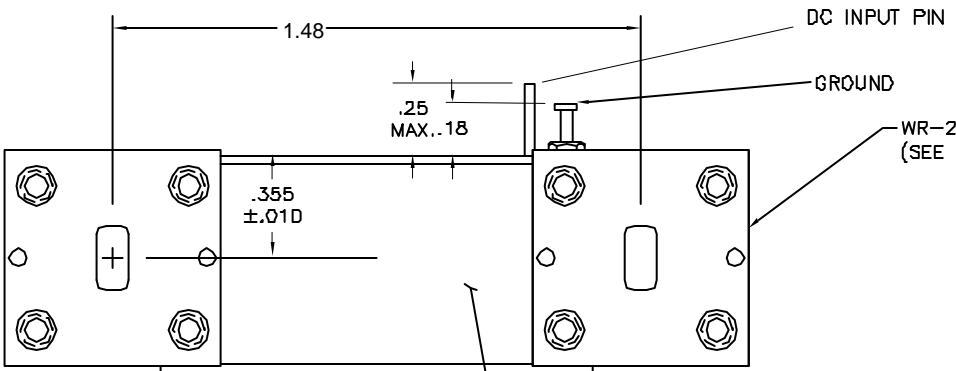
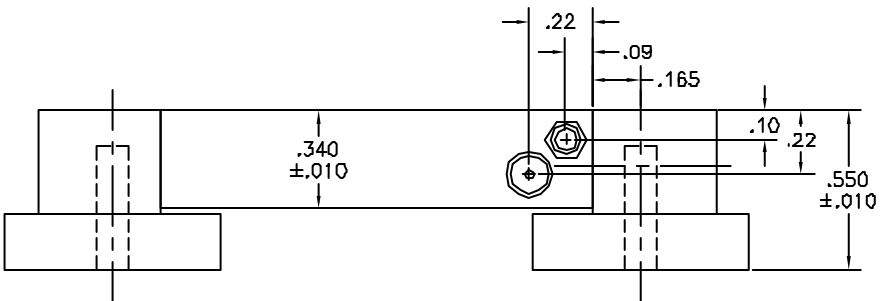




2805A28S



4X #2-56 UNC-2B X .13 DP

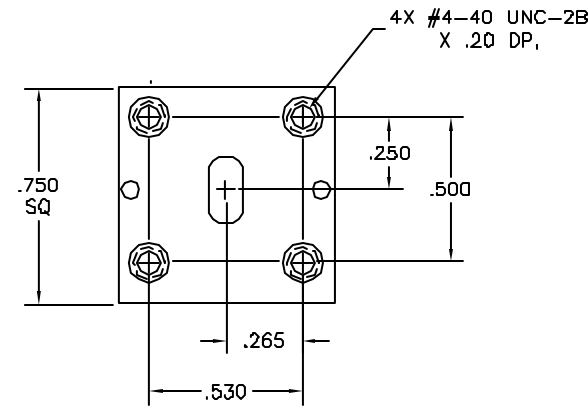


DC INPUT PIN

GROUND

WR-28 SQ FLANGE, OUTPUT  
(SEE DETAIL A)

MAIN MARKING  
AREA



DETAIL A  
WR-28 WAVEGUIDE