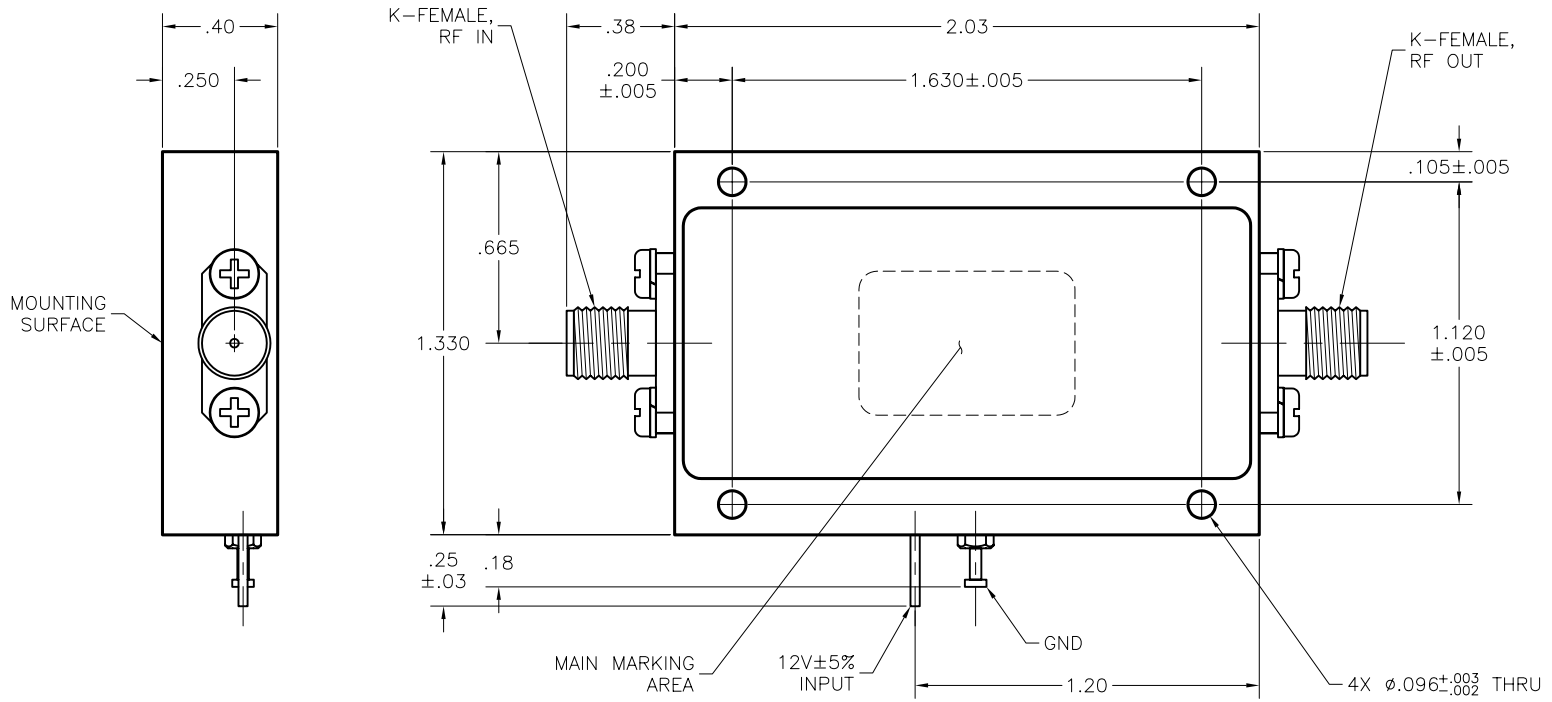



REVISIONS				
ZONE	REV	DESCRIPTION	DATE	APPROVED
	01	ENGINEERING RELEASE	12-1-06	JD



DIMENSIONS ARE IN INCHES, TOLERANCES ARE: FRACTIONS .XX±.02 DEGREES ± - .XXX±.010 ± -		APPROVALS		DATE		 PLACERVILLE, CA 95667			
		DRAWN J. DARJES		11-30-06				OUTLINE DRAWING FOR N06-1326	
MATERIAL:		ENGR DM Smith		11/30/06		SIZE	CAGE CODE	DWG NO.	REV
FINISH:		MANUFACT.		Q.A.		1W6Q4	1W6Q4	OL-01928	01
						SCALE	SHEET 1 OF 1		