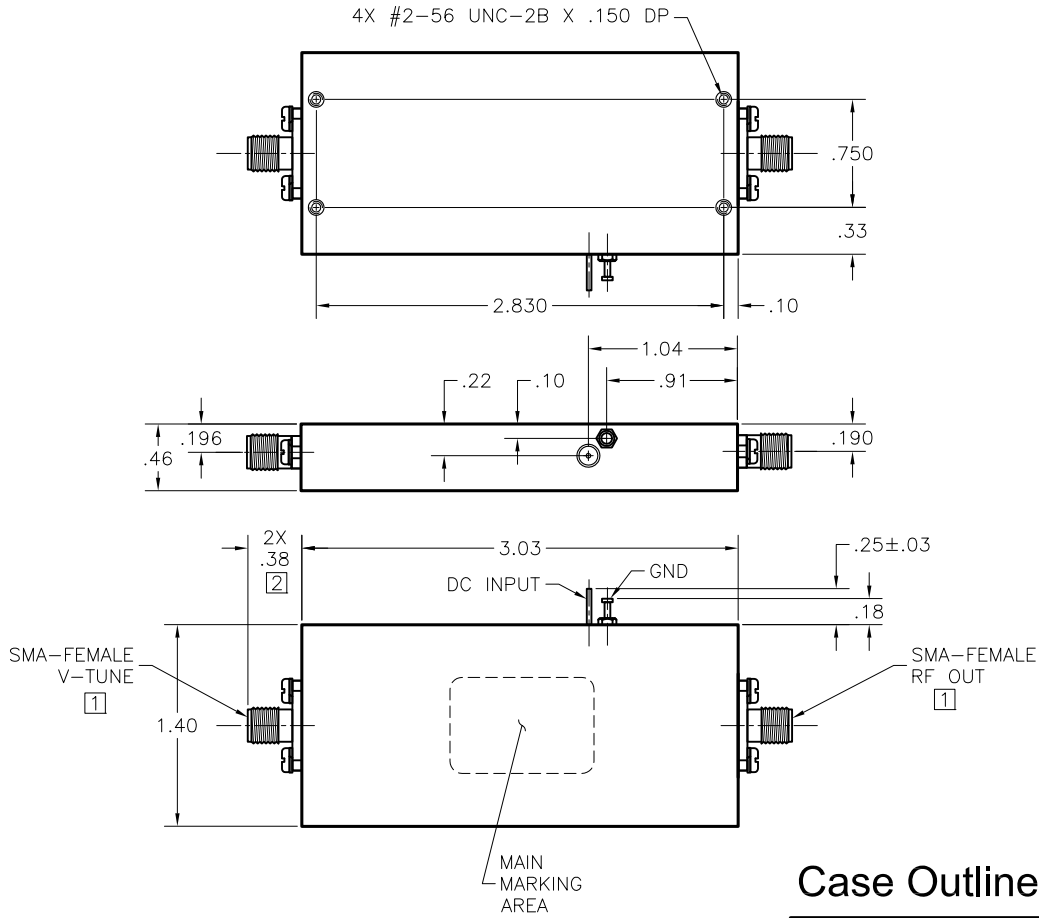


RF CONNECTOR V-CONTROL / RF CONNECTOR OUT VCO



UNLESS OTHERWISE SPECIFIED
DIMENSIONS ARE IN INCHES.
TOLERANCES ARE:
.XX ± .02 .XXX ± .005

NOTES: (Unless Otherwise Specified)

[1] RF INPUT & OUTPUT CONNECTORS ARE SMA OR 2.92mm FEMALE.

[2] CONNECTOR DIMENSIONS:
SMA & 2.92mm FEMALE ARE .38"

VCO Outline Drawing for Cases with Female Connectors.
Male Connectors available upon request.

Case Outline Example

