

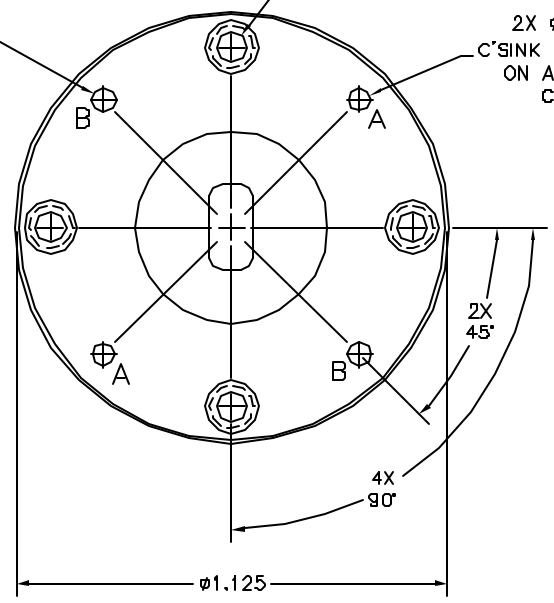
**Norden Millimeter**

SM04M19S

2X  $\phi .065$  THRU,  
C'SINK  $45^\circ$  X  $.015$  DP  
ON A  $\phi .937$  B.C.,  
CODED 'B'

4X #4-40 UNC-2B THRU,  
C'BORE  $\phi .140$  X  $.030 \pm .002$  DP  
ON A  $\phi .937$  B.C.

2X  $\phi .058$  THRU,  
 $.057$   
C'SINK  $45^\circ$  X  $.015$  DP  
ON A  $\phi .937$  B.C.,  
CODED 'A'



**DETAIL A**  
WR-19 WAVEGUIDE

WR-19 ROUND FLANGE,  
OUTPUT (SEE DETAIL A)

