

4X #2-56 UNC-2B X .13 DP

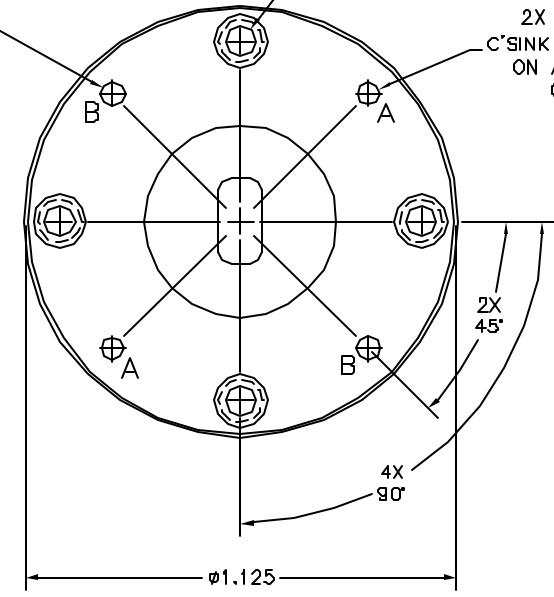
Norden Millimeter

SM05M19S

2X $\phi .065$
 $\phi .064$ THRU,
 C'SINK 45° X .015 DP
 ON A $\phi .937$ B.C.,
 CODED 'B'

4X #4-40 UNC-2B THRU,
 C'BORE $\phi .140$ X $.030 \pm .002$ DP
 ON A $\phi .937$ B.C.

2X $\phi .058$
 $\phi .057$ THRU,
 C'SINK 45° X .015 DP
 ON A $\phi .937$ B.C.,
 CODED 'A'



DETAIL A
 WR-19 WAVEGUIDE

