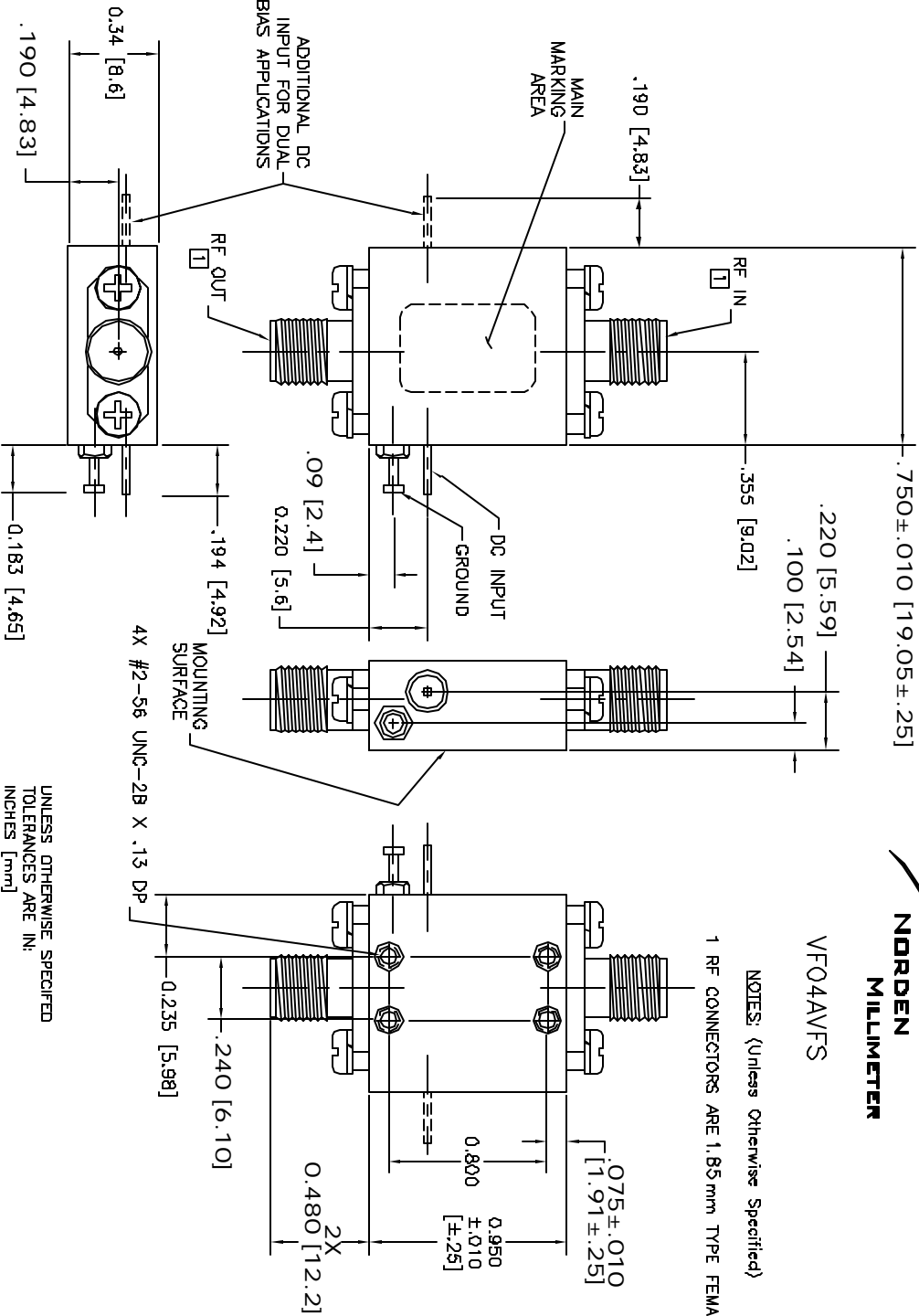


NORDEN
MILLIMETER

VFO4AVFS

NOTES: (Unless Otherwise Specified)

1 RF CONNECTORS ARE 1.85 mm TYPE FEMALE.



UNLESS OTHERWISE SPECIFIED
TOLERANCES ARE IN:
INCHES [mm]
XX ± .02 [±.5]
XXX ± .005 [±.13]