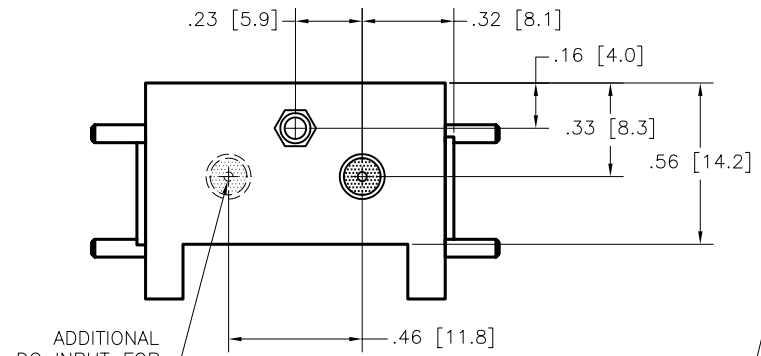


REVISIONS

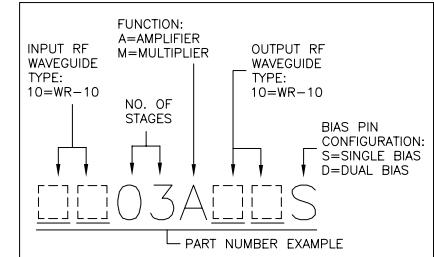
ZONE	REV	DESCRIPTION	DATE	APPROVED
	A	INITIAL RELEASE	3-16-06	JD



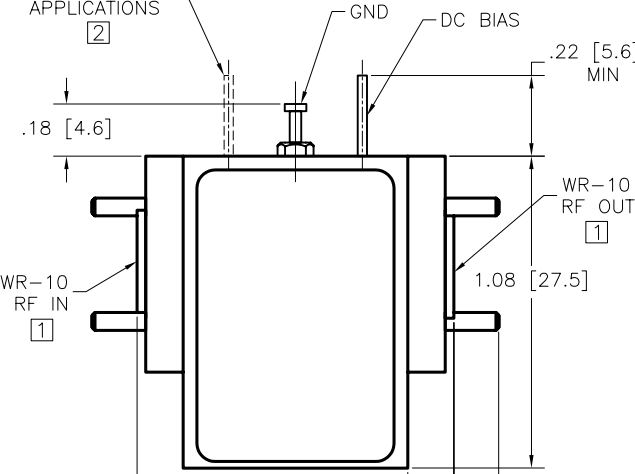
2X ϕ .062 [ϕ 1.57] PIN
ON A ϕ .562 B.C.,
CODED 'A',
BOTH SIDES

4X #4-40 UNC-2B X
.140 DP, ON A ϕ .562 B.C.,
BOTH SIDES

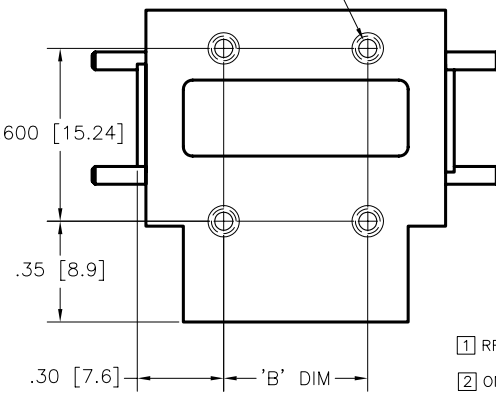
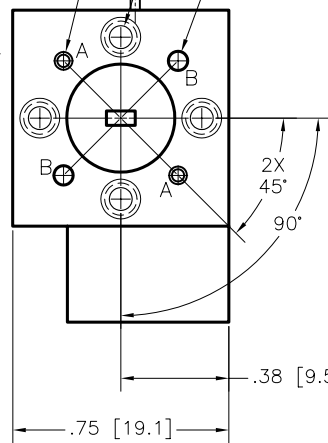
2X ϕ .068 [ϕ 1.73]
 ϕ .067 [ϕ 1.70] X .165 DP,
ON A ϕ .562 B.C.,
CODED 'B',
BOTH SIDES



ADDITIONAL
DC INPUT FOR
DUAL BIAS
APPLICATIONS
[2]



4X #2-56 UNC-2B X .20 DP



PACKAGE#	DIM "A"	DIM "B"
1001_10_	1.100 [27.94]	.500 [12.70]
1002_10_	1.300 [33.02]	.700 [17.78]
1003_10_	1.500 [38.10]	.900 [22.86]
1004_10_	1.700 [43.18]	1.100 [27.94]
1005_10_	1.900 [48.26]	1.300 [33.02]
1006_10_	2.100 [53.34]	1.500 [38.10]
1007_10_	2.300 [58.42]	1.700 [43.18]
1008_10_	2.500 [63.50]	1.900 [48.26]
1009_10_	2.700 [68.58]	2.100 [53.34]
1010_10_	2.900 [73.66]	2.300 [58.42]
1011_10_	3.100 [78.74]	2.500 [63.50]
1012_10_	3.300 [83.82]	2.700 [68.58]
1013_10_	3.500 [88.90]	2.900 [73.66]
1014_10_	3.700 [93.98]	3.100 [78.74]
1015_10_	3.900 [99.06]	3.300 [83.82]

NOTES: (Unless Otherwise Specified)

- [1] RF CONNECTORS ARE WR-10 WITH UG 387/U-M FLANGE.
- [2] ONLY USED ON PACKAGE NUMBERS ENDING IN "D".

UNLESS OTHERWISE SPECIFIED
TOLERANCES ARE IN:
INCHES [mm]
XX±.02 [±.5]
XXX±.005 [±.13]

DIMENSIONS ARE IN INCHES,
TOLERANCES ARE:
FRACTIONS .XX± — DEGREES
± — .XXX± — ±1°

MATERIAL:
FINISH:

APPROVALS		DATE		 PLACERVILLE, CA 95667 OUTLINE, STANDARD WR-10 WAVEGUIDE, WITH UG-387/U-M FLANGE INPUT/OUTPUT			
DRAWN J. DARJES		3-15-06					
ENGR WM F Frey		3-15-06		SIZE	CAGE CODE 1W6Q4	DWG NO. OL-01573	REV A
MANUFACT. K. Robertson		3-15-06		SCALE		SHEET 1 OF 1	
Q.A. M. Conley		3-16-06					