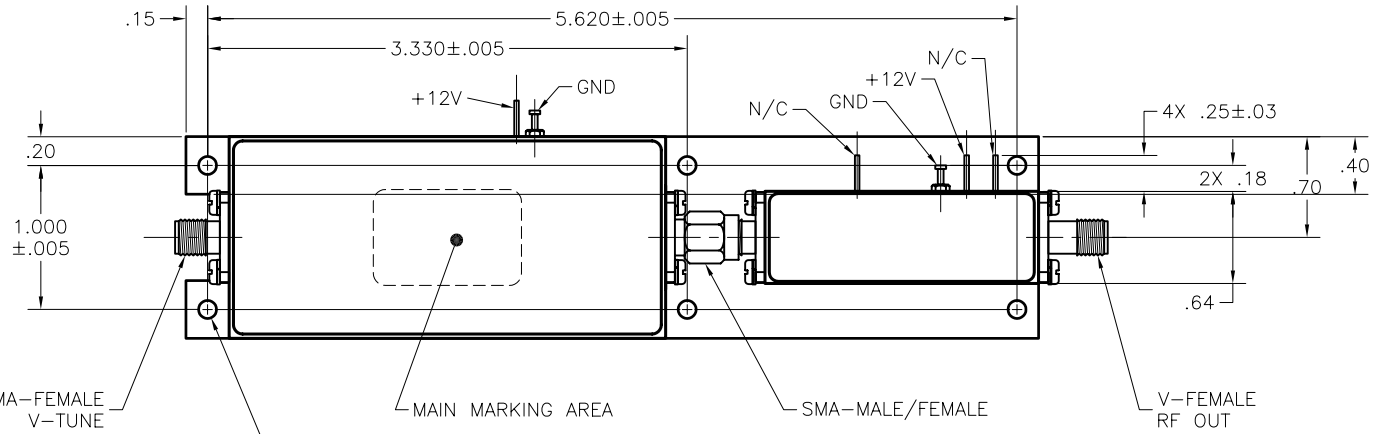
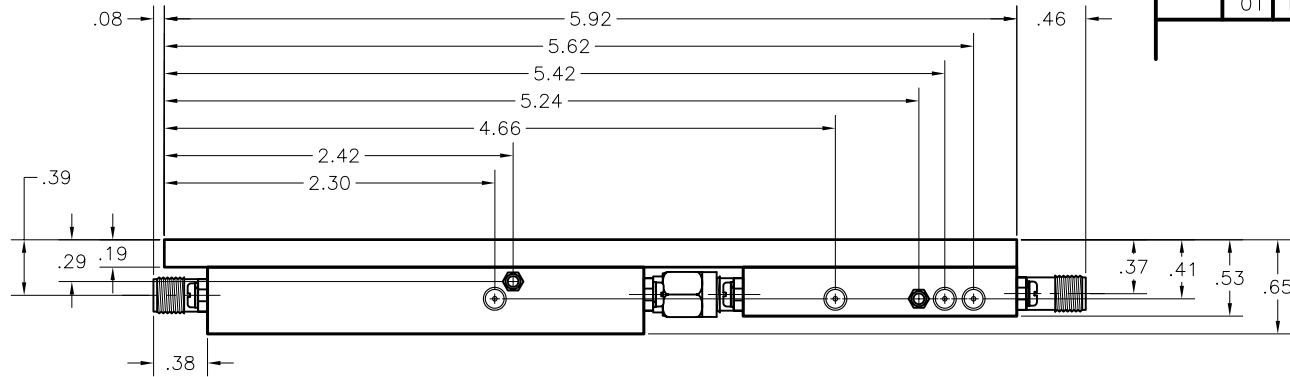



REVISIONS				
ZONE	REV	DESCRIPTION	DATE	APPROVED
	01	ENGINEERING RELEASE	11-14-06	JD



DIMENSIONS ARE IN INCHES,  
TOLERANCES ARE:  
FRACTIONS .XX ± .03 DEGREES  
± - .XXX ± .010 ± -

MATERIAL:  
FINISH:

		 PLACERVILLE, CA 95667			
APPROVALS	DATE	OUTLINE DRAWING FOR N06-1149			
DRAWN J. DARJES	11-14-06				
ENGR D. Smith	11/14/06	SIZE	CAGE CODE	DWG NO.	REV
MANUFACT.		1W6Q4		OL-01917	01
Q.A.		SCALE		SHEET 1 OF 1	