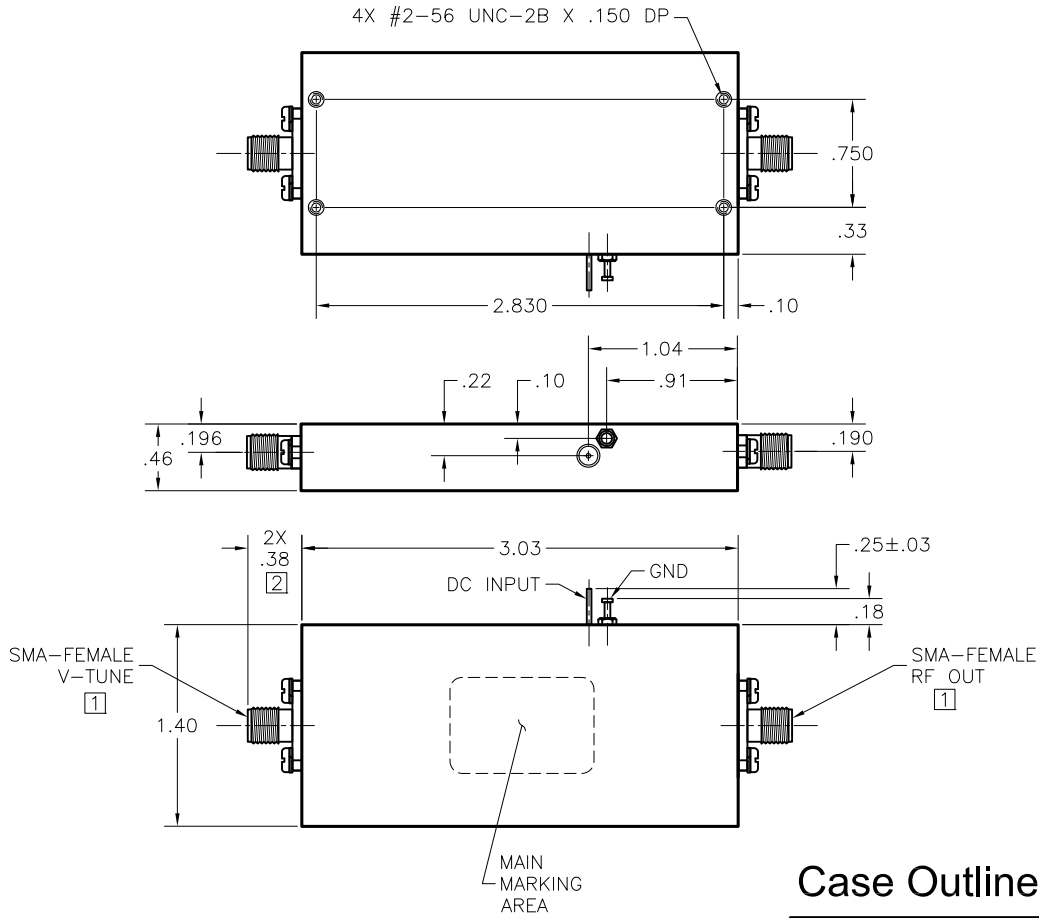


# RF CONNECTOR V-CONTROL / RF CONNECTOR OUT VCO



UNLESS OTHERWISE SPECIFIED  
DIMENSIONS ARE IN INCHES.  
TOLERANCES ARE:  
.XX±.02 .XXX±.005

NOTES: (Unless Otherwise Specified)

- 1 RF INPUT & OUTPUT CONNECTORS ARE SMA OR 2.92mm FEMALE.
- 2 CONNECTOR DIMENSIONS:  
SMA & 2.92mm FEMALE ARE .38".

VCO Outline Drawing for Cases with Female Connectors.  
Male Connectors available upon request.

## Case Outline Example

