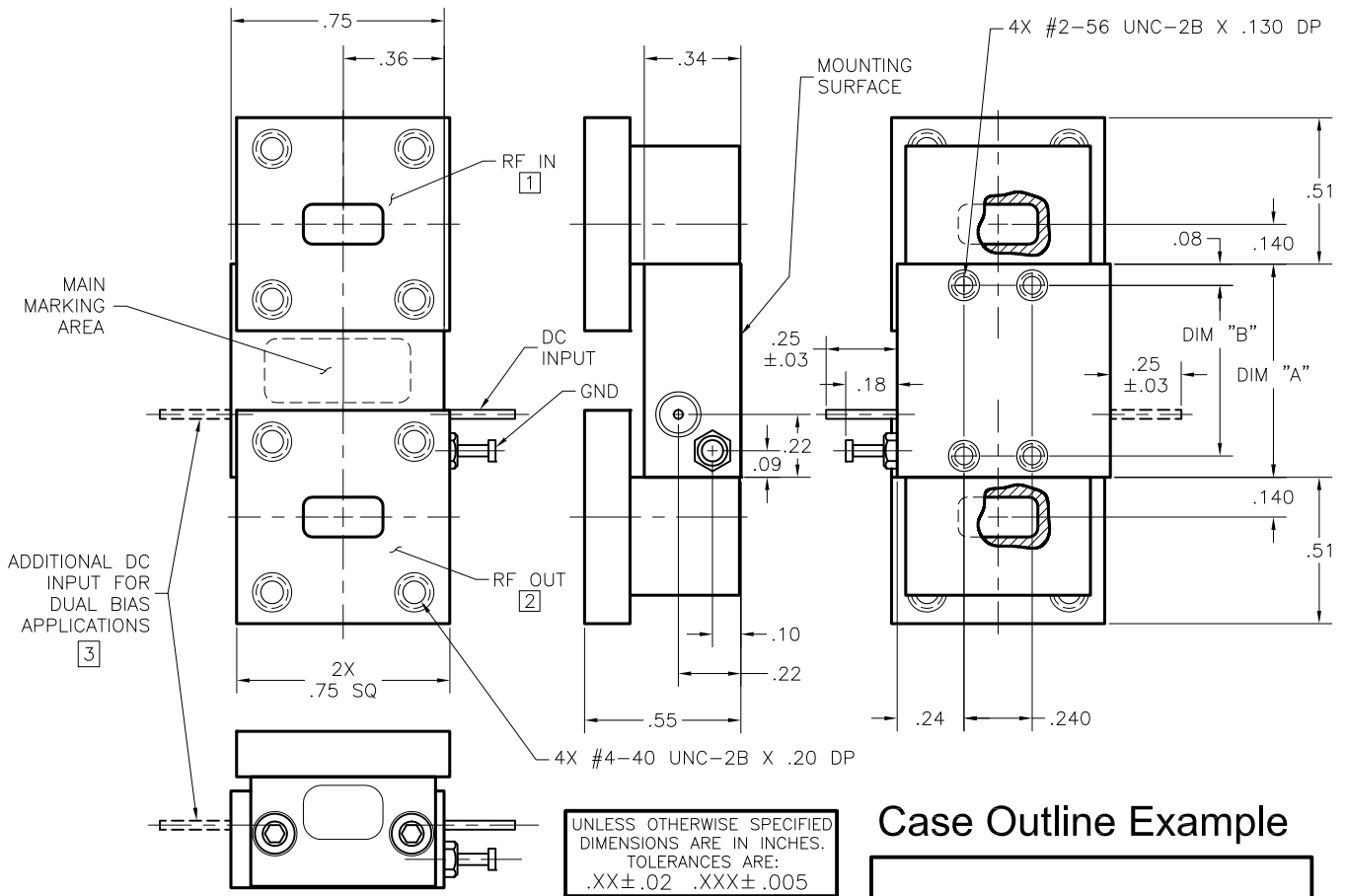
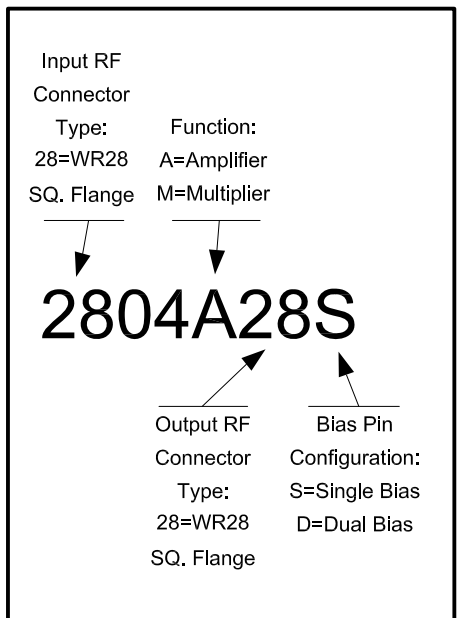


WR-28 WG SQUARE FLANGE IN / OUT AMPLIFIER/MULTIPLIER



UNLESS OTHERWISE SPECIFIED
DIMENSIONS ARE IN INCHES.
TOLERANCES ARE:
.XX±.02 .XXX±.005

Case Outline Example



NOTES: (Unless Otherwise Specified)

- 1 RF INPUT CONNECTOR IS WR-28 WAVEGUIDE, SQUARE FLANGE.
- 2 RF OUTPUT CONNECTOR IS WR-28 WAVEGUIDE, SQUARE FLANGE.
- 3 ONLY USED ON PACKAGE NUMBERS ENDING IN "D".

PACKAGE#	DIM "A"	DIM "B"
__03__	.750	.600
__04__	.950	.800
__05__	1.150	1.000
__06__	1.350	1.200
__07__	1.550	1.400
__08__	1.750	1.600
__09__	1.950	1.800
__10__	2.150	2.000
__11__	2.350	2.200
__12__	2.550	2.400
__13__	2.750	2.600
__14__	2.950	2.800
__15__	3.150	3.000