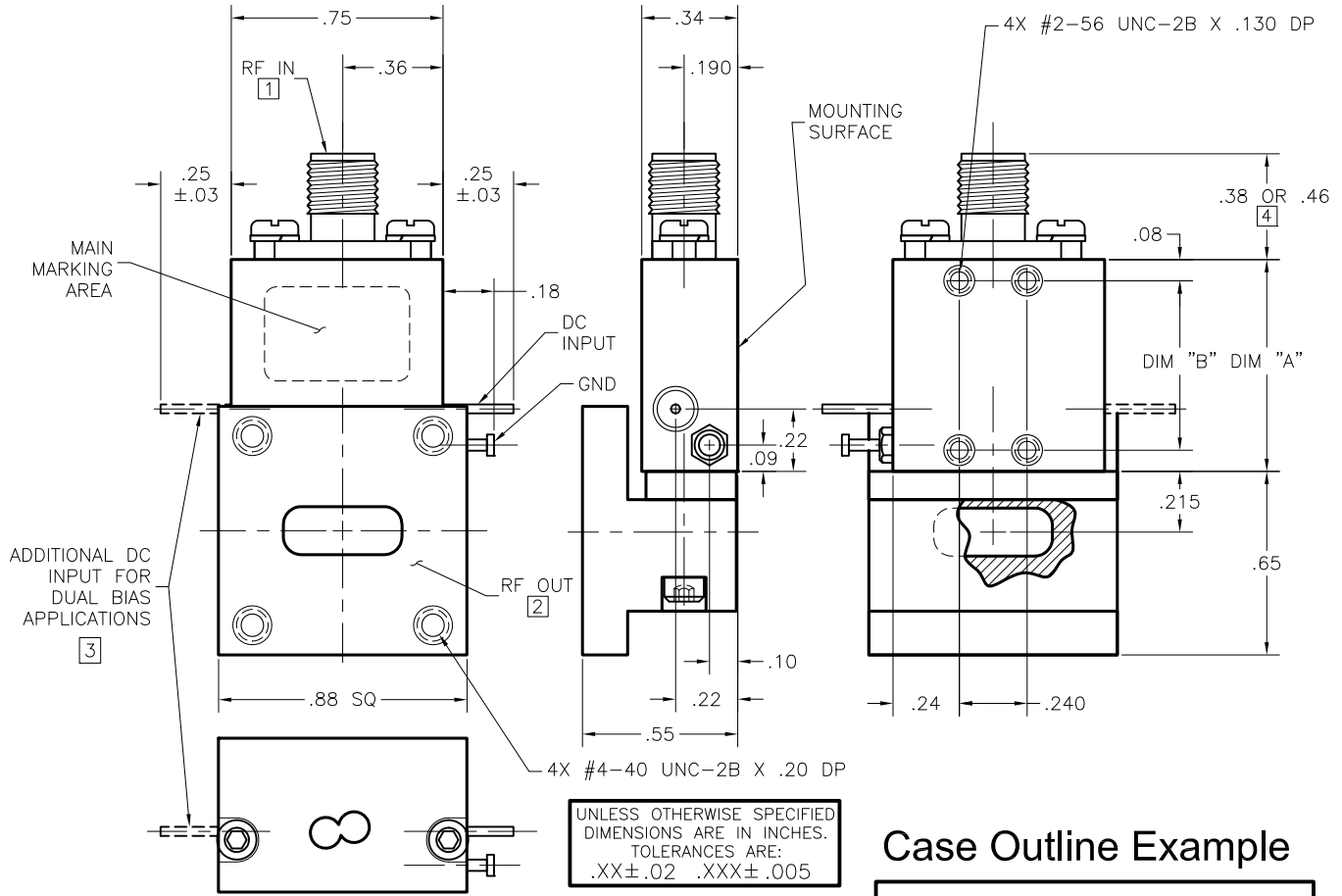
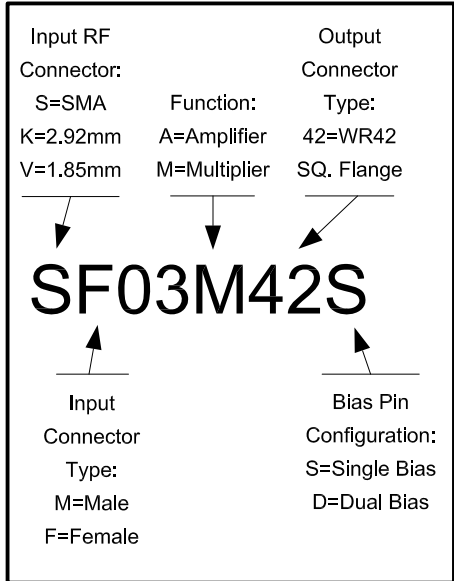


RF CONN IN / WR-42 WG SQ. FL. OUT AMPLIFIER/MULTIPLIER



Case Outline Example



- NOTES: (Unless Otherwise Specified)
- RF INPUT CONNECTOR IS SMA, 2.92mm OR 1.85mm FEMALE.
 - RF OUTPUT CONNECTOR IS WR-42 WAVEGUIDE, SQUARE FLANGE.
 - ONLY USED ON PACKAGE NUMBERS ENDING IN "D".
 - CONNECTOR DIMENSIONS: SMA & 2.92mm FEMALE ARE .38". 1.85mm FEMALE IS .46".

PACKAGE#	DIM "A"	DIM "B"
__03__	.750	.600
__04__	.950	.800
__05__	1.150	1.000
__06__	1.350	1.200
__07__	1.550	1.400
__08__	1.750	1.600
__09__	1.950	1.800
__10__	2.150	2.000
__11__	2.350	2.200
__12__	2.550	2.400
__13__	2.750	2.600
__14__	2.950	2.800
__15__	3.150	3.000